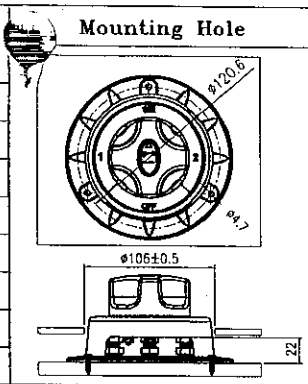
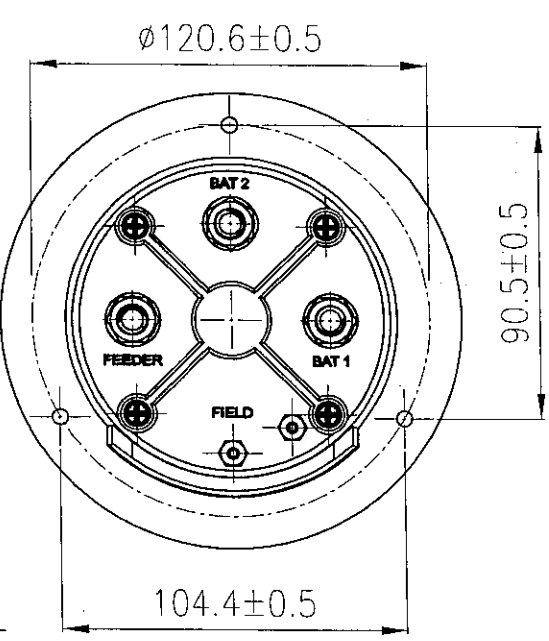
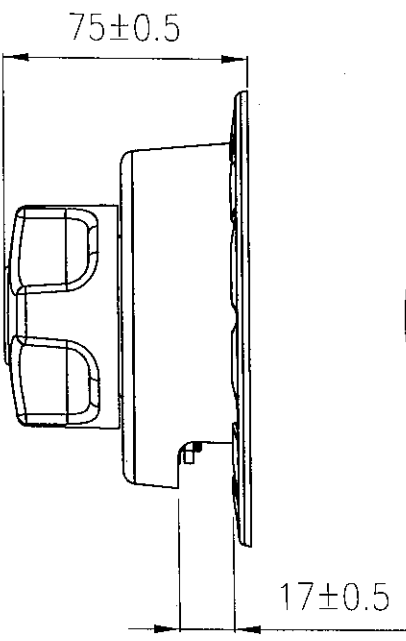
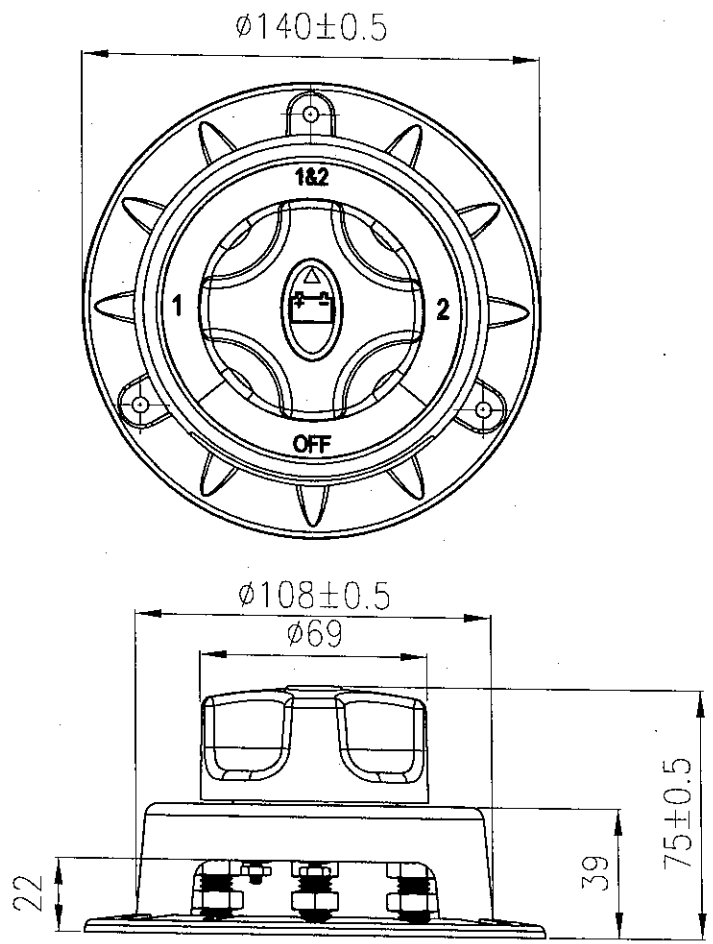


Continuous Rating	200 Amps 6~32 VDC
Intermittent Rating	300 Amps
Cranking Rating	1000 Amps
Contact Resistance	50m ohm Max.
Insulation Resistance	DC 1000V 100M ohm Min.
Dielectric Strength	AC 2000V 1 minute
Operation Temperature	-20°C~80°C
Switch Function	OFF/1/2/1&2
Actuation Force	5±0.5 Kgf-cm



	Circuit Diagram	Field Diagram
OFF		
1		
2		
1&2		



Material:  
 Actuator, Housing, Cover are PBT(UL flame:94V-0)  
 Contact screw and nut are copper alloy.

A3

Drawn	Checked	Approved	SCI BOM No.	1340008	Model Name	Battery Switch
HUANG YU HUNG			Customer No.		Model No.	A23-1
Date	10/28/08	10/28/08	Unit	mm	SHIN CHIN INDUSTRIAL CO., LTD.	
Name	Description		NO			REV.