

## GX 系列连接器 GX series connector

GX型电连接器广泛用于各种电子仪器、机械电气设备之间的电路连接。

GX-type electrical connectors are widely used in various electronic instruments, mechanical and electrical equipment, electrical connections between.

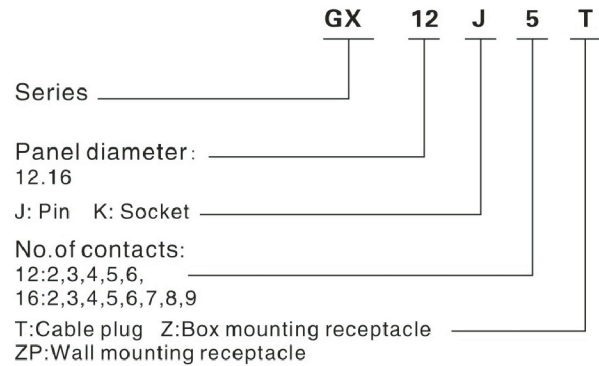
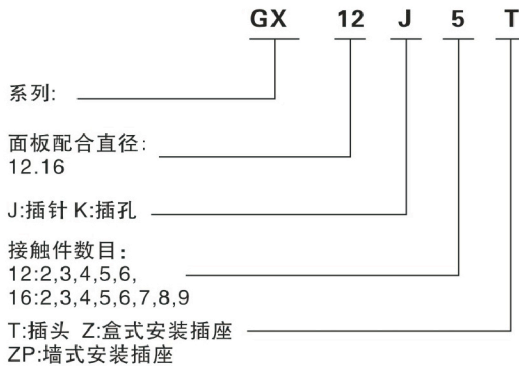


GX16 系列连接器 GX16 Series Connector



GX12 系列连接器 GX12 Series Connector

### 命名 How to order



### GX16 系列连接器 GX16 Series Connector

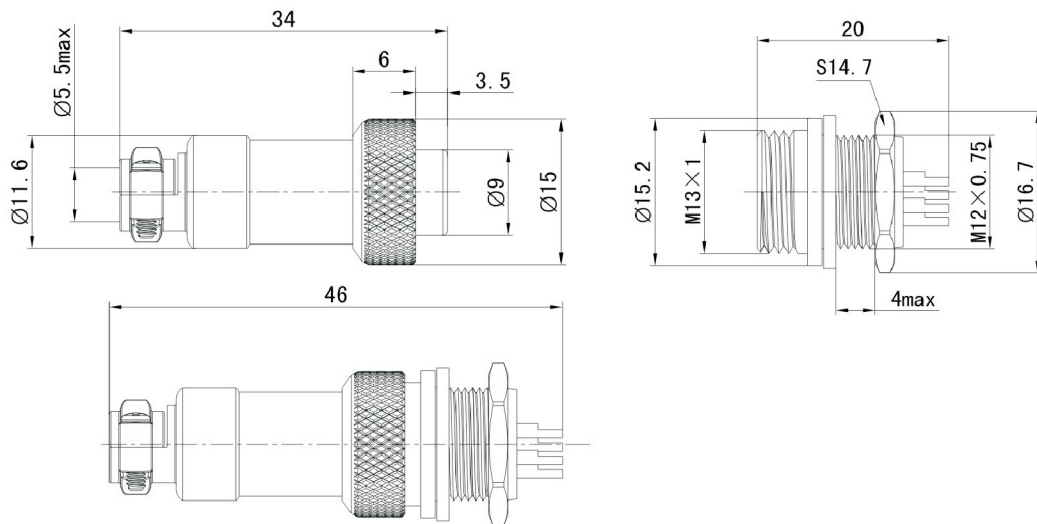
外型尺寸 Shell size	GX16-2 正装	GX16-3 正装	GX16-4 正装	GX16-5 正装	GX16-6 正装	GX16-7 正装	GX16-8 正装	GX16-9 正装
接触对排列分布从针的方向看 Contact Arrangements Comply with the needle direction								
额定电流(A)/电压(V) Rated Current/voltage	7A-125V	7A-125V	7A-125V	5A-125V	5A-125V	4A-125V	4A-125V	4A-125V
工作电压(AC.V)一分钟 Operating Limit voltage (AC.V.rms)	200	200	200	200	200	200	200	200
耐电压(AC.V)一分钟 Withstanding voltage(AC.V.rms)1minute	1500	1500	1500	1500	1500	1500	1500	1500
绝缘阻抗(MΩ)DV500V Insulation resistance(MΩ Max)AT DC 500V	2000	1500	1500	1500	1500	1500	1500	1500
接触阻抗(mΩ)DC 1A Contact resistance (mΩ Max)AT DC 1A	3	3	3	3	3	3	3	3
接触对孔径φ (mm) Solder inter diameter	2.5	2.5	2.5	2	1.2	1.2	1.2	1.0

## GX 系列连接器 | GX series connector

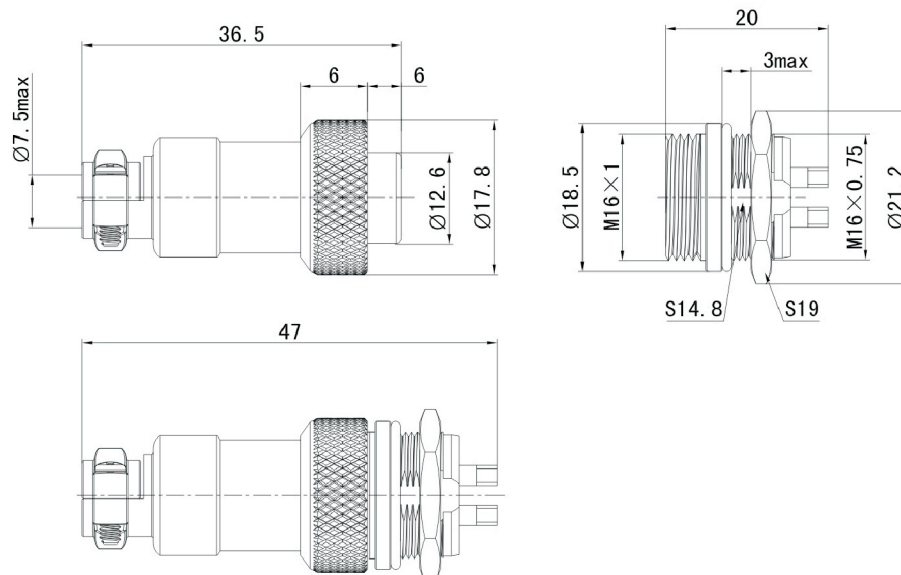
### GX12 系列连接器 GX12 Series Connector

外型尺寸 Shell size	GX12/RS765-2 正装	GX12/RS765-3 正装	GX12/RS765-4 正装	GX12/RS765-5 正装
接触对排列分布从针的方向看 Contact Arrangements Comply with the needle direction				
额定电流(A)/电压(V) Rated Current/voltage	7A-125V	7A-125V	5A-125V	5A-125V
工作电压(AC.V)分钟 Operating Limit voltage (AC.V.rms)	200	200	200	200
耐压(AC.V)一分钟 Withstanding voltage(AC.V.rms)1minute	1500	1500	1500	1500
绝缘阻抗(MΩ)DV500V Insulation resistance(MΩ Max)AT DC 500V	2000	200	200	200
接触阻抗(mΩ)DC 1A Contact resistance (MΩ Max)AT DC 1A	3	3	3	3
接触对孔径 φ (mm) Solder inter diameter	1.2	1.2	1.2	1.2

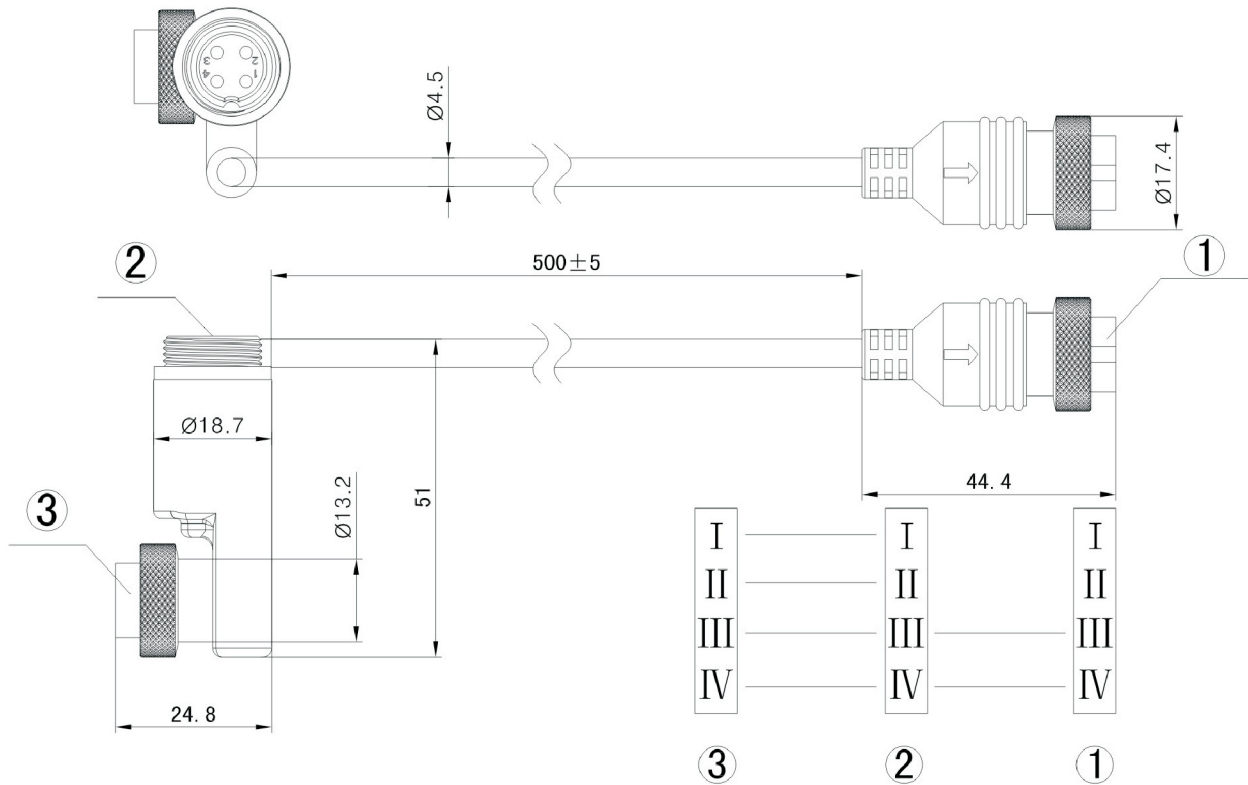
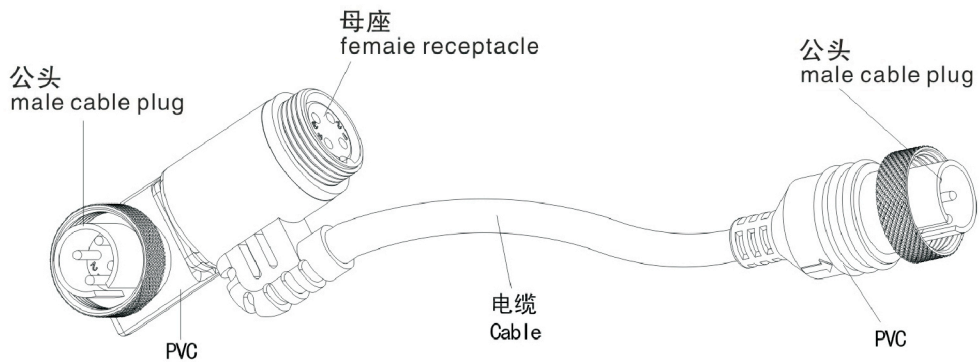
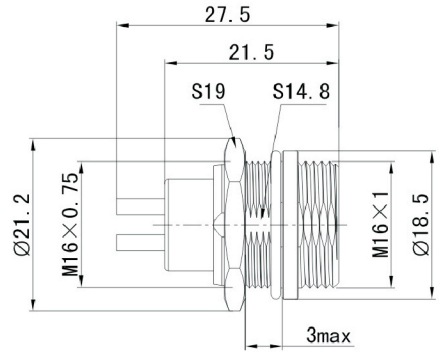
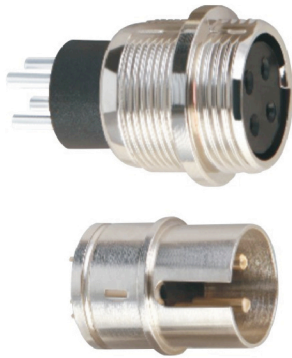
### GX12



### GX16



## GX 系列连接器 | GX series connector



接触对排列分布从针的方向看 Contact Arrangements Comply with the needle direction	额定电流/电压 Rated Current/voltage	工作电压(AC.V)分钟 Operating Limit voltage (AC.V.rms)	绝缘阻抗(MΩ)DV500V Insulation resistance (MΩ.MIX)AT DC 500V	接触阻抗(MΩ)DC 1A Contact resistance (MΩ Max)AT DC 1A	接触对孔径Φ (mm) Solder inter diameter
	5A-125V	200	1500	3	1.6