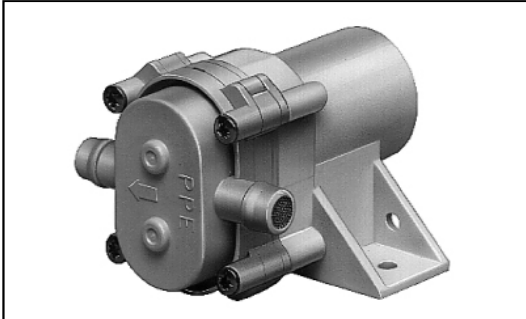


■ **NTGM**



Applications

Ice trays for refrigerator

Features

Self absorption system by gear pump

■ **Specifications**

Motor drive parts	Voltage for use	Motor	DC10~13V
	Current input	Water load	250mA or less
Flow performance			1.3L/min.(typ) , head 600mm
Operating time			About 30 s
Operating temperature			0~50°C

For additional information, please contact our sales.

NIDEC SANKYO CORPORATION

Sales Headquarters Tokyo Office

1-20-13, Osaki, Shinagawa-ku, Tokyo 141-0032, Japan Tel (81)3-5740-3000 FAX (81)3-6843-3122