

Stepper motor 28BYJ-48 12V

Electronic Parameters :

Rated voltage : 12VDC

Number of Phase : 4

Speed Variation Ratio : 1/64

Stride Angle : 5.625° /64

Frequency : 100Hz

DC resistance : 200Ω±7%(25°C)

Idle In-traction Frequency : >600Hz

Idle Out-traction Frequency : >1000Hz

In-traction Torque : >34.3mN.m(120Hz)

Self-positioning Torque : >34.3mN.m

Friction torque : 800-1800 gf.cm

Pull in torque : 450 gf.cm

Insulated resistance : >10MΩ(500V)

Insulated electricity power : 600VAC/1mA/1s

Insulation grade : A

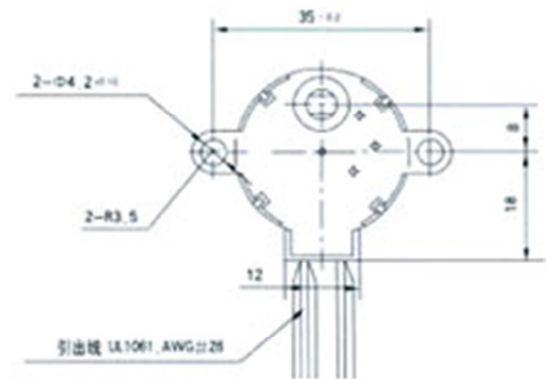
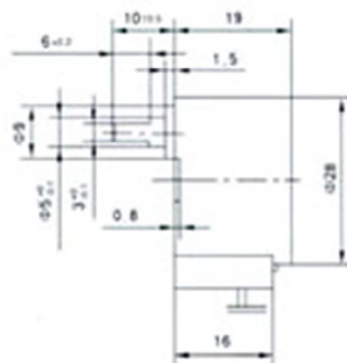
Rise in Temperature <40K(120Hz)

Noise <35dB(120Hz,No load,10cm)

Model : 28BYJ-48



28BYJ48



Model	Rated Voltage (DCV)	Resistance Ω/Phase (at25°C)	Max. Freeload Pull-in Frequency (FPS)	Max. Freeload Pull-out Frequency (FPS)	Full-in Torque (mN.m)	Operation Frequency (FPS)	Detent Torque (mN.m)	Temperature Rise (K)	Noise (dB)	Step Angle (1-2phase)	Insulation Class
28BYJ48	5	60	>500	>900	>29.4	100	>29.4	<40	<35	5.625° /64	E
28BYJ48	12	130	>500	>900	>44.1	100	>29.4	<40	<35	5.625° /64	E
28BYJ48	12	200	>500	>900	>34.3	100	>29.4	<40	<35	5.625° /64	E
28BYJ48	12	250	>500	>900	>34.3	100	>29.4	<40	<35	5.625° /64	E
28BYJ48	12	300	>500	>900	>34.3	100	>29.4	<40	<35	5.625° /64	E
28BYJ48	12	320	>500	>900	>29.4	100	>29.4	<40	<35	5.625° /64	E
28BYJ48	12	380	>500	>900	>29.4	100	>29.4	<40	<35	5.625° /64	E

